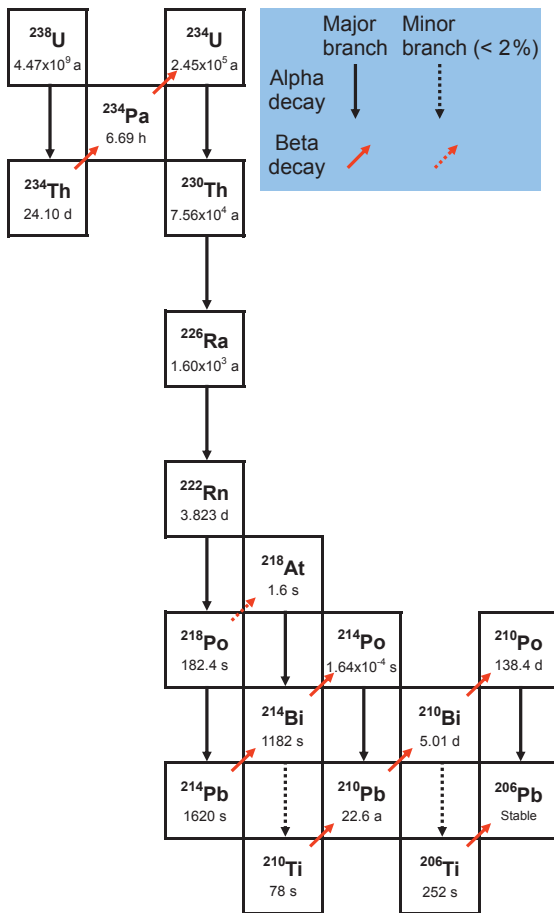
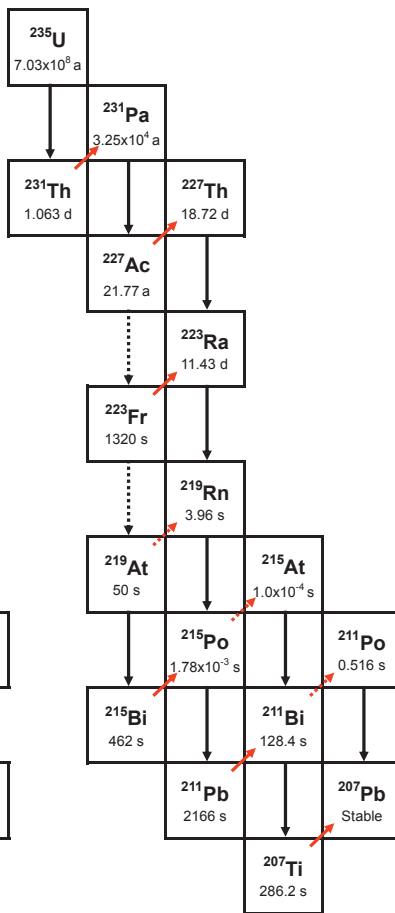


^{238}U decay series



^{235}U decay series



^{232}Th decay series

